

SPECIAL ORDER JAWS FORM

Metric & Imperial Serrations

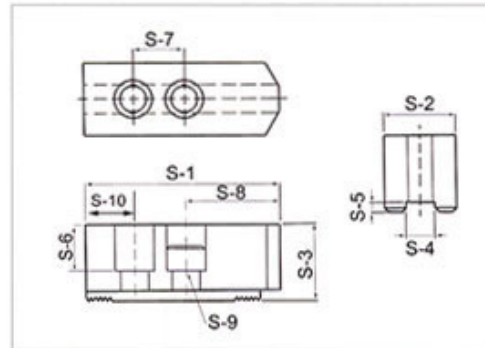
Customer # _____ Date: _____
 Company Name: _____ Your Name: _____
 Address: _____
 Phone: _____ Fax: _____ E-mail: _____

▶▶ PLEASE NOTE

- ▶ Special Order jaws are NON-REFUNDABLE.
- ▶ Special Order Soft Jaws have 30 sets (90 piece) minimum.

Style of Jaws: _____

Quantity(in sets of 3): _____



Chuck Size	S-1 Length	S-2 Width	S-3 Height	S-4 Groove Width	S-5	S-6	S-7 Hole space	S-8	S-9 Bolt Size	S-10	Material Steel or Aluminum

UNIT: mm

Angle of Tooth	Serration Pitch	Angle of Tooth	Serration Pitch
	<input type="checkbox"/> 1.5mmX60° <input type="checkbox"/> 3.0mmX60°		<input type="checkbox"/> 1/16"X90° <input type="checkbox"/> 3/32"X90°

Style	<input type="checkbox"/> Flat 	<input type="checkbox"/> Standard 	<input type="checkbox"/> 120° Pointed 	<input type="checkbox"/> 90° Pointed 	<input type="checkbox"/> 60° Pointed

Chuck Make& Model Number: _____
 Chuck Make& Model Number may help us provide better service to you.

Please fill out if placing an order:

PO#: _____ Customer Signature: _____ Date: _____

OFFICE USE ONLY

Quoted By: _____
 List Price Per Set: _____ (Valid for 30 Days)
 Order Will Ship within _____ days after receiving your order is confirmed, and receiving your remittance.